

L7805

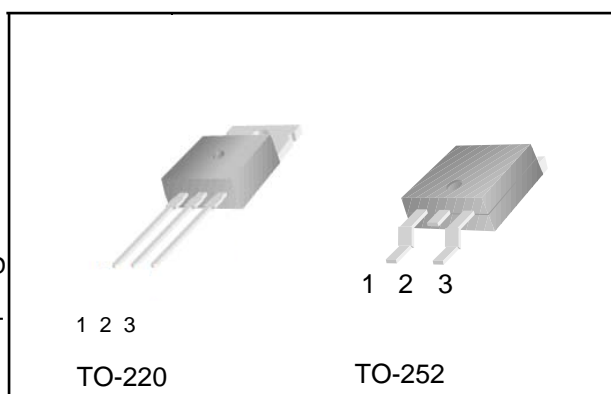
3 TERMINAL 1.5A POSITIVE VOLTAGE REGULATORS

L7805 Three-terminal positive voltage regulator

FEATURES

- Maximum output current
I_{OM}: 1.5 A
- Output voltage
V_O: 5V

1.IN
2.GND
3.OUT



ABSOLUTE MAXIMUM RATINGS (Operating temperature range applies unless otherwise specified)

Parameter	Symbol	Value	Unit
Input Voltage	V _i	35	V
Thermal Resistance from Junction to Air	R _{θJA}	65	°C/W
Operating Junction Temperature Range	T _{OPR}	-20~+125	°C
Storage Temperature Range	T _{STG}	-65~+150	°C

L7805 ELECTRICAL CHARACTERISTICS

(Refer to test circuits, 0<T_j<125°C, I_o=500mA, V_i=10V, C_i=0.33μF, C_o=0.1μF, unless otherwise specified)

Characteristic	Symbol	Test Conditions	Min	Typ	Max	Units
Output voltage	V _o	T _j =25°C	4.8	5.0	5.2	V
		5.0mA<I _o <1.0A, P _D <15W V _i =7.5V to 20V	4.75	5.00	5.25	V
Line regulation	ΔV _o	T _j =25°C, V _i =7.5V to 25V	-	4.0	100	mV
		T _j =25°C, V _i =8V to 12V	-	1.6	50	mV
Load regulation	ΔV _o	T _j =25°C, I _o =5.0mA to 1.5A	-	9	100	mV
		T _j =25°C, I _o =250mA to 750mA	-	4	50	mV
Quiescent current	I _Q	T _j =25°C	-	5.0	8	mA
Quiescent current change	ΔI _Q	I _o =5mA to 1.0A	-	-	0.5	mA
		V _i =8V to 25V	-	-	0.8	mA
Output voltage drift	ΔV _o /ΔT	I _o =5mA	-	0.8	-	mV/°C
Output noise voltage	V _N	f=10Hz to 100kHz, T _a =25°C	-	42	-	μV
Ripple rejection	RR	f=120Hz, V _i =8V to 18V	62	73	-	dB
Dropout voltage	V _o	I _o =1.0A, T _j =25°C	-	2	-	V
Output resistance	R _o	f=1kHz	-	15	-	mΩ
Short circuit current	I _{sc}	V _i =35V, T _a =25°C	-	230	-	mA
peak current	I _{pk}	T _j =25°C	-	2.2	-	A

L7805

3 TERMINAL 1.5A POSITIVE VOLTAGE REGULATORS

TEST CIRCUITS

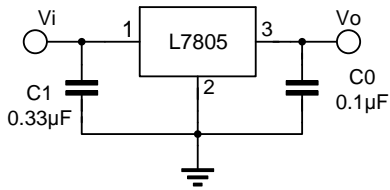


FIG.1 DC PARAMETERS

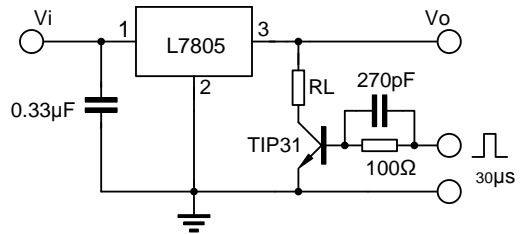


FIG.2 LOAD REGULATION

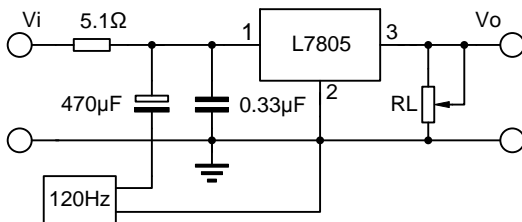


FIG.3 RIPPLE REJECTION

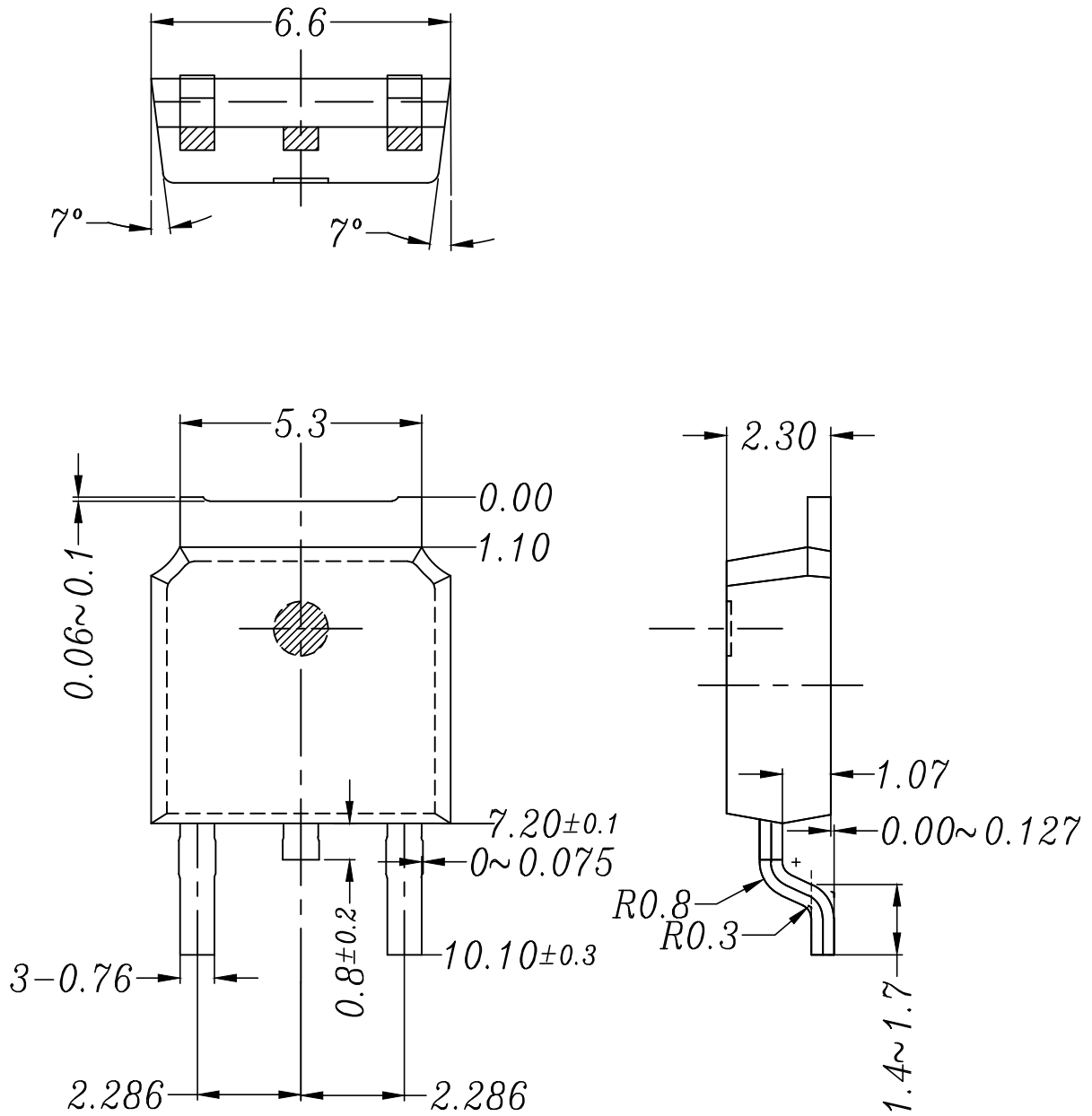
L7805

PUOLOP 迪浦

3 TERMINAL 1.5A POSITIVE VOLTAGE REGULATORS

TO-252 Package Outline Dimensions

Package Outline Dimensions (Units: mm)



L7805

3 TERMINAL 1.5A POSITIVE VOLTAGE REGULATORS

TO-220 Package Outline Dimensions

Package Outline Dimensions (Units: mm)

